



## INSTALLATION GUIDE & USER MANUAL APNL1240A/CCT



**ENSURE POWER SUPPLY IS OFF WHEN HANDLING ANY ELECTRICAL EQUIPMENT.**

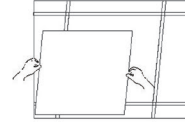
- This product may need to be installed by a qualified electrical installer.
- Please read this guide in its entirety to fully understand the products before attempting any install.
- All electrical work should be completed in accordance with the latest IET regulations, and/or any other relevant rules, regulations or laws of the country in which it is being installed.
- The item must be installed in isolation from any insulating material and is adequately ventilated to prevent premature failure.
- Ensure power supply is isolated prior to installation, maintenance or performing any other form of electrical work.
- In the event of incorrect or improper function with specific regard to any of ALL LED's products and contact ALL LED for further advice.

## Technical Specifications

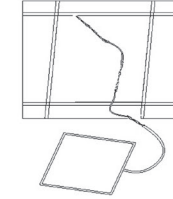
Product Code	APNL1240A/CCT		
Luminous Flux (LM)	4730lm	5000lm	4870lm
Useful Luminous Flux (LM)	4730lm	5000lm	4870lm
CCT (Kelvin)	3000K	4000K	6500K
Beam Angle (°)	120°		
SDCM	<6		
CRI	>80		
Peak Intensity (cd)	1636cd	1735cd	1685cd
Operating Voltage (V)	220-240V AC		
Max Output Power (W)	40W		
Operating Current (A max)	0.18A		
No Load Power (W)	<0.5W		
Power Factor (P <sub>f</sub> )	>0.95		
Class	II		
Driver Efficiency %	95%		
Body Material	Aluminium		
Frame Colour	White		
Switching Cycles	20,000		
Ingress Protection	IP20		
Ambient Operating Temperature (°C)	-10°C ~ 45°C		
Input Frequency (Hz)	50/60Hz		
Guarantee	5 Years		
Lifetime (L70 B50)	50,000 Hrs		
Survival Factor	0.9		
Lumen Maintenance Factor	0.96		
Displacement Factor	>0.9		
Flicker Metric (PstLM)	<1		
Stroboscopic Effect Metric (SVM)	<0.4		
UGR Rating	19		

## Installation Instructions

1. We recommend checking the installation with the products for suitability prior to installation.
2. Turn off power supply at source to avoid any risk of electric shock.

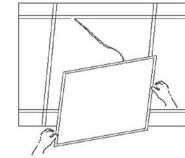


3. Locate where the luminaire is to be installed and remove the ceiling tile if required.

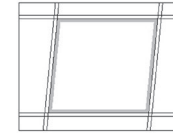


4. Remove the female DC quick connector from the male side of the LED driver and wire the LED driver into the lighting circuit according to current and relevant wiring regulations.

Ensure connections are stable and correct. It is recommended to double check the installation for added safety.



5. Reconnect the DC connectors supplied on driver and luminaire.

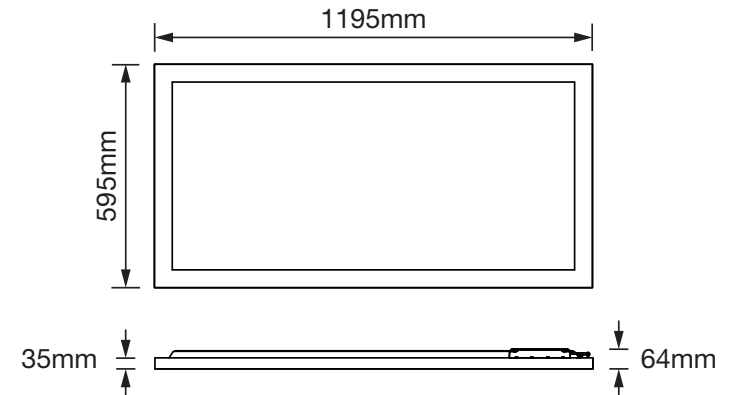


7. Ensure the luminaire is adequately supported.

6. Insert the luminaire into the ceiling.

8. Turn the power on once satisfied with the general integrity of the installation
9. Check the luminaire is functioning correctly.

## Dimensions (mm)



# Troubleshooting Guide

PROBLEM	CAUSE(S)	SOLUTION(S)
No Light Output From LEDs	No power to drive components	A qualified installer/electrician should check the primary voltage side of the product to check the input voltage.
	Loose connection on circuit	Ensure continuous and correct connection between terminals.
	No output from the driver	Driver may be faulty and require replacement.
	Overtoltage may have caused damage to the sensitive components	These cases are rare and the item may need replacement and/or investigation as to the cause of failure.
LEDs Flashing	Incorrect voltage range being used	Please ensure there is a regulated AC voltage supply within the parameters of the LED drive component. Failure to do so will void the warranty.
	LED driver may be connected to a mains dimmer switch	Please remove the dimmer switch and wire the unit to a switch, removing any mains dimmers or other dimmers on the primary side. Use of this product on a dimmer will void the warranty.
	Loose connection on circuit.	Ensure continuous and correct connection between the terminals.

**This product contains a light source of energy efficiency class: E**  
**The light source contained in this luminaire shall only be replaced by the manufacturer or his service agent or a similar qualified person.**



## ATTENTION

**IF ANY PROBLEMS PERSIST, PLEASE CALL THE ALL LED TECHNICAL DEPARTMENT FOR FURTHER ASSISTANCE.**

# Safety

- Do not cover the ground contact.
- Do not place any material over the lens or LED diode/chip.
- Do not insert objects into the luminaire.
- Do not clean using any solvent based abrasive or aggressive product.
- Do not pull any cables connected to the product.
- Do not direct the luminaire into a person's eyes, as this unit may have an intense light output, which if incorrectly used may cause eye damage.
- Light engines/LEDs and other light sources may heat up, please take care when handling the products.
- The manufacturer will not be deemed liable or held responsible for any damages caused by faults or manufacturing defects that may be present in any of its products or the misuse or incorrect installation of this device. Please refer to our troubleshooting guide for further information.
- The manufacturer will not be held liable for any death(s) or injuries caused by misuse or poor installation or any unreported faults of this product version or versions thereof.
- LEDs are sensitive to electrostatic discharge. Do not touch the surface of the LED module.
- Do not connect to a temporary electricity supply, this may damage the electronics.
- Light fittings with an integrated emergency option come with a separate installation and wiring leaflet. Please refer to this manual for further details. If the manual is unavailable please contact an ALL LED representative for assistance.

# Returns & Faulty Items

- If any problem is encountered during or after installation, please call the ALL LED technical department to get the problem resolved as soon as possible.
- Please do not just return the item to the outlet you purchased it from, as you are only entitled to a replacement or refund after the unit has undergone testing and the unit has been confirmed as having a manufacturing defect/fault. Your statutory rights are not affected.
- The manufacturer will not be deemed liable or held responsible for any damages caused by faults or manufacturing defects that may be present in any of its products or the misuse or incorrect installation of this device. Please refer to our troubleshooting guide for further information.
- All goods are supplied under the terms and conditions of ALL LED LTD, a copy of which may be obtained upon written request.

Environmental Protection  
 Waste electrical products should not be disposed of with household waste. Please recycle where facilities exist. Check with your Local Authority or retailer for recycling advice



ISOLATE MAINS SUPPLY BEFORE HANDLING ANY ELECTRICAL PRODUCTS



The manufacturer will not be deemed liable or held responsible for any damages caused by faults or manufacturing defects that may be present in any of its products or the misuse or incorrect installation of this device  
 Your statutory rights are not affected.



ALL LED LTD  
 42 Sedgwick Road,  
 Luton, LU4 9DT

www.allledgroup.com  
 sales@allledgroup.com  
 Tel: +44 (0)208 841 9000

